



Network Rail Approved Product

- **KETS (Kestrel Emergency Telephone System)**
- **Cat. No. 87/038055**
- **Approved for Automatic Half Barrier (AHB) Level Crossings**
- **Large illuminated legend panel**
- **Clear, even illumination (white backlight)**
- **Raised stainless steel push-button**
- **Soft spring and magnetic catch on door**
- **Industry standard robust handset c/w armoured cord**
- **Robust and weather resistant**
- **Up to IP66**
- **CE compliant**

The KETS (Kestrel Emergency Telephone System) Titan Illuminated Crossing Phone is specifically designed and approved for installation at automatic half barrier (AHB) level crossings.

The KETS system puts intelligence and self monitoring capability into the telephone itself, allowing 4 telephones to operate in parallel on a single line pair without the need for a powered control unit at the crossing. Calls are cleared down by the signalman, meaning that the line can never be held open if the user fails to hang up at the end of a call.

The telephone is fitted with a white back-lit legend panel, which can be used to provide visible instructions at night. A translucent legend sheet can be fitted into the slot provided, accessible only from inside the weather resistant seal.

The raised press-to-call button is stainless steel and vandal resistant.

The handset is rugged, has an armoured cord and an integrity loop that will trigger an alarm at the KETS control unit when broken (for example if vandalised).

The door uses a soft spring and magnetic catch, giving an ingress protection rating up to IP66 with the door closed.

Titan brings state of the art design and technology to metal bodied weather and vandal resistant telephones. It is simple to install and fixings are concealed from view. Cable entries are via standard 20mm glands.

KETS - Technical Specifications

Technical Specifications

Casing Material:

Die-cast aluminium, epoxy powder coated
Colour: Yellow

Handset Material:

Cyclopol with stainless steel cord

Signalling Button:

Raised, stainless steel, vandal resistant push-button

Temperature:

Operating: -20°C to +60°C

Storing: -40°C to +70°C

Weather Resistance:

Door closed – up to IP66

Door open – up to IP65

Ringing loudness:

>75dBA @ 1m

Hookswitch:

Electronic with no external moving parts

Illumination / On-hook leakage:

On hook current: 3.5mA ± 10 %

Illuminated panel:

83x90mm LED backlight (white). Includes a receptacle for a legend sheet (66x81mm), accessible from inside the case only

Power supply:

100% line power

For connection to KETS system only

Relative Humidity:

Up to 95% (non-condensing)

Weight:

5kg approx

Dimensions:

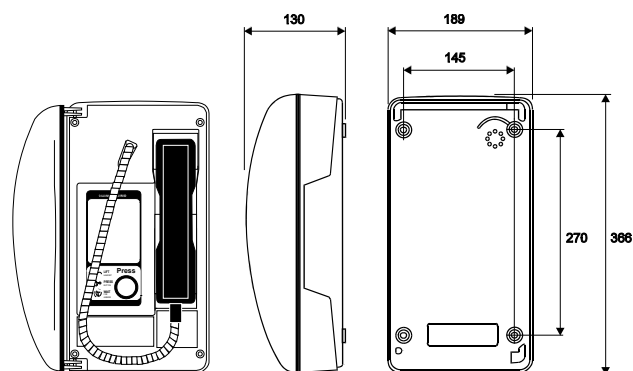
H366 x W189 x D130 mm with door closed

Label:

Brown product identity label



Dimensions



Approvals



Certificate of Acceptance Number PA05/05063



This mark indicates compliance with the following directives:
2004/108/EC- EMC Directive
2011/65/EC- RoHS 2 Directive
2006/95/EC- Low Voltage Directive

Safety
EMC

BS EN60950-1
BS EN 50121-4, BS EN 55022,
BS EN 55024



The GAI-Tronics Quality Management System has been approved by LRQA to ISO9001:2008 & ISO 14001:2004 Certificate No. 861888 and OHSAS 18001:2007 Certificate No. 4004472



This mark indicates compliance for inductively coupling to Hearing Aids having a 'T' switch position
Tested to ETS 300-381 and in accordance with ITU-T P37

Order Code (for other variants, please call)

GAI-Tronics part number: 028-02-3361-652

PADS code: 87/038055

Optional Accessories Order Code

Please ask for Brochure B150 or visit www.gai-tronics.co.uk

www.gai-tronics.co.uk



UK: Tel: +44 (0) 1283 500500
USA: Tel: +1 (610) 777-1374
Italy: Tel: +39 02 4860 1460
Malaysia: Tel: +60-3-8945-4035
Australia: Tel: +61-28-851-5000

www.gai-tronics.co.uk
www.gai-tronics.com
www.gai-tronics.it
www.gai-tronics.com
www.austdac.com.au

